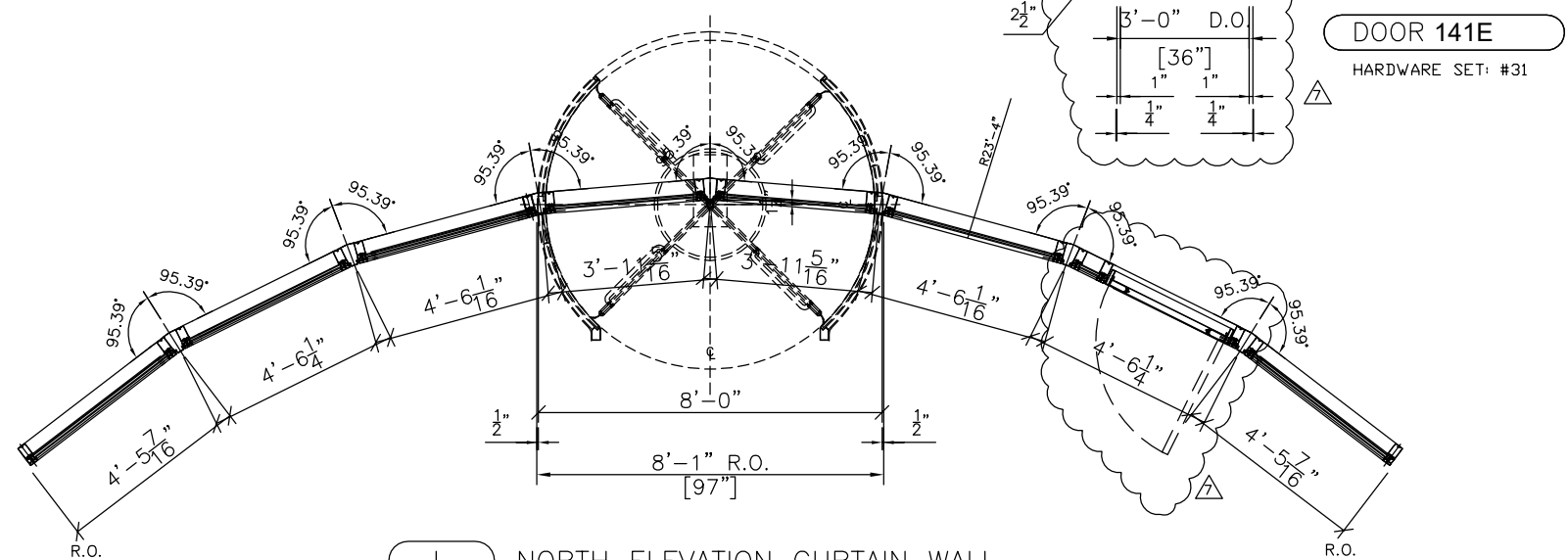


L WALL SECTION  
404



L NORTH ELEVATION CURTAIN WALL  
404 [1] REQ'D THUS TOTAL  
LEVEL 1 NORTH KAWNEER 1600 SS [2 1/2" X 6"]  
EXTERIOR GLAZED

REV.	DATE	DESCRIPTION
1	12-29-14	REVISED PER EMBED MODIFICATIONS
2	2-2-15	REVISED PER ARCH. RETURNS 1-13-15
3	3-9-15	REVISED PER ENGINEERING CALCULATIONS
4	7-16-15	REVISED PER CCD #2
5	7-27-15	REVISED PER ROOF SLAB FIX
6	8-10-15	REVISED PER CCD #2 REDLINE RETURN DWGS
7	8-20-15	REVISED PER NORTH ELEV. ENTRANCE CHANGE

PROJECT NAME:	DATE:
ADDRESS:	12-29-14
CUSTOMER:	2-2-15
ARCHITECT:	3-9-15
	7-16-15
	7-27-15
	8-10-15
	8-20-15

PROJECT NAME:	DATE:
ADDRESS:	12-29-14
CUSTOMER:	2-2-15
ARCHITECT:	3-9-15
	7-16-15
	7-27-15
	8-10-15
	8-20-15