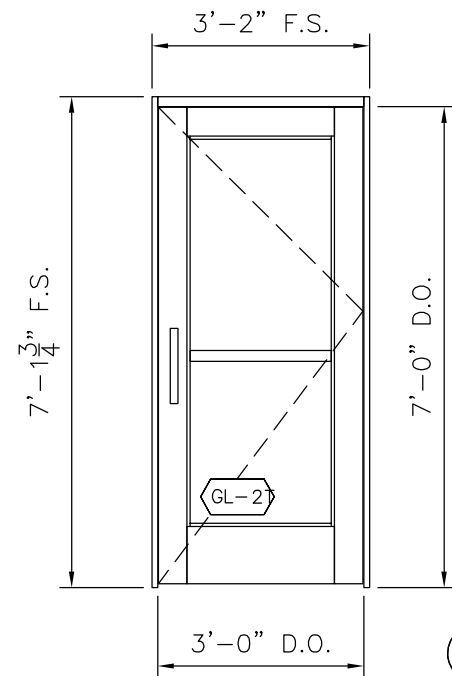
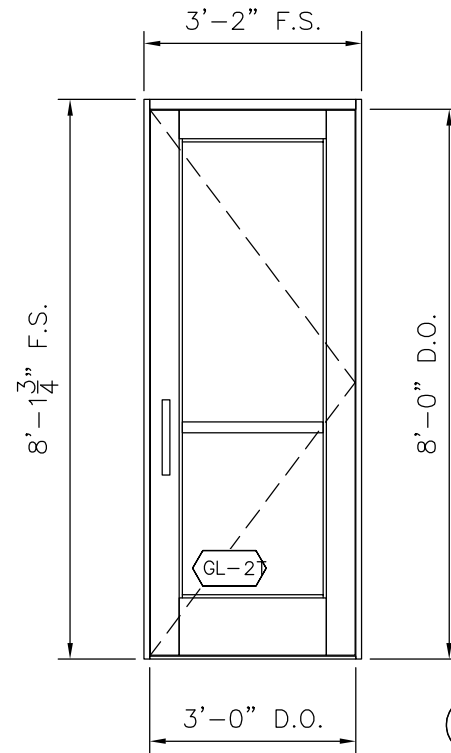


DOOR / DOOR HARDWARE



DOOR 141B
HARDWARE SET: #31 2

WIDE STYLE DOOR (500 HEAVY WALL)	
VERTICAL STILES	5'
TOP RAIL	5'
BOTTOM RAIL	10'
CROSS RAIL	NONE
GLASS STOPS	SQUARE
GLAZING	1'
VERTICAL FRAMING	1" X 4-1/2" TUBE
HEADER	1-3/4" X 4-1/2" TUBE
DOOR STOP	APPLIED 069-177



DOOR 141C
HARDWARE SET: #32 2

HARDWARE SET #31				
1	CONT. HINGE	112HD		IVE
1	PANIC HARDWARE	CD-24-R-C-718		FAL
1	RIM CYLINDER	20-057-ICX		SCH
1	MORTISE CYLINDER	20-061-ICX		SCH
2	FSIC CORE	23-030		SCH
1	90 DEG. OFFSET PULL	8190HD 12"		IVE
1	CLOSER W/STOP ARM	SC71 SS		FAL
1	DROP PLATE	SC70-18PA		FAL
1	CUSH SHOE SUPPORT	SC70-30		FAL
1	BLADE STOP SPACER	SC70-61		FAL
1	WEATHER SEAL	DOOR MANF.		KAW
1	THRESHOLD	613		NGP

HARDWARE SET #32				
1	CONT. HINGE	112HD		IVE
1	DEADBOLT	MS1850S SERIES		ADA
2	MORTISE CYLINDER	20-062-ICX		SCH
2	FSIC CORE	23-030		NO
1	PUSH/PULL BAR	9190HD-12"-NO		IVE
1	CLOSER W/STOP ARM	SC71 SS		FAL
1	DROP PLATE	SC70-18PA		FAL
1	CUSH SHOE SUPPORT	SC70-30		FAL
1	BLADE STOP SPACER	SC70-61		FAL
1	WEATHER SEAL	DOOR MANF.		KAW
1	THRESHOLD	613		NGP

2

REV.	DATE:	DESCRIPTION:
1	12-29-14	REVISED PER EMBED MODIFICATIONS
2	2-2-15	REVISED PER ARCH. RETURNS 1-13-15
3	3-9-15	REVISED PER ENGINEERING CALCULATIONS
4	7-16-15	REVISED PER CCD #2
5	7-27-15	REVISED PER ROOF SLAB FIX
6	8-10-15	REVISED PER CCD #2 REDLINE RETURN DWGS
7	8-20-15	REVISED PER NORTH ELEV. ENTRANCE CHANGE

PROJECT NAME:	ADDRESS:
DRAWN BY:	CUSTOMER:
CHECKED BY:	ARCHITECT:
DRAWING TYPE:	