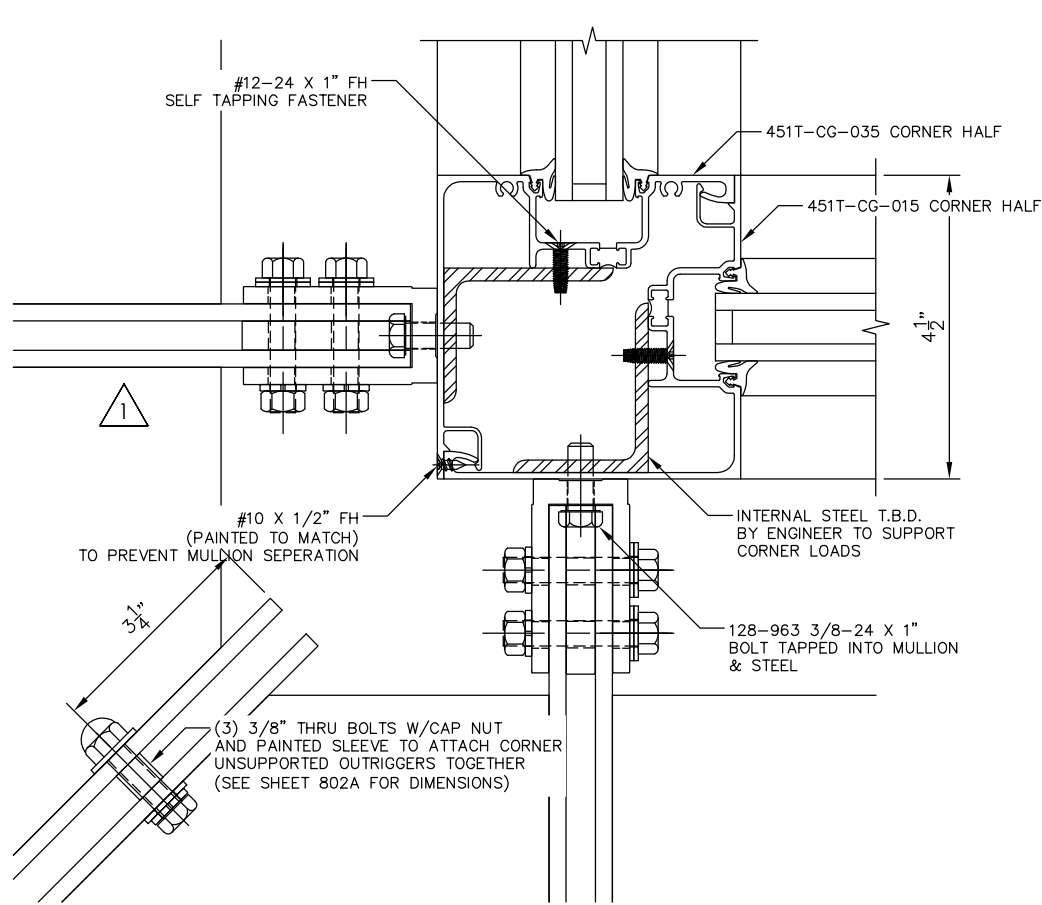
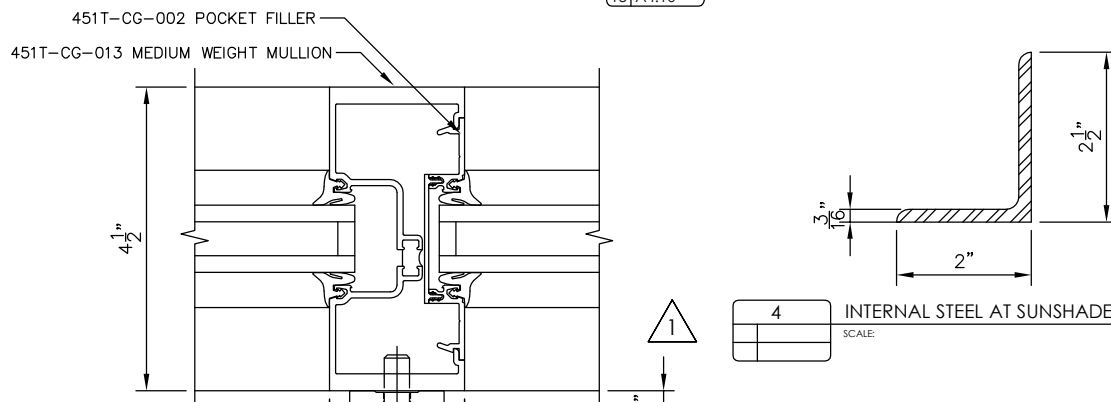


1 STOREFRONT JAMB W/ SUNSHADE
SCALE:

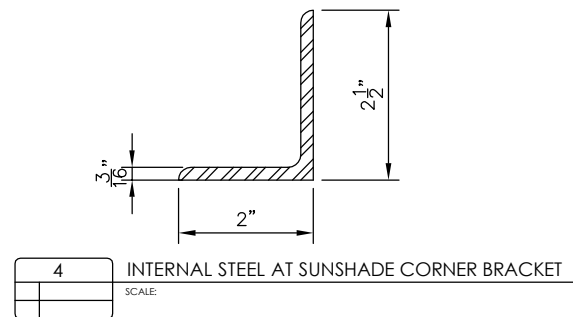
GLAZING NOTE:
USE ANTI SHIFT BLOCKS AT ALL
VERTICAL MULLIONS



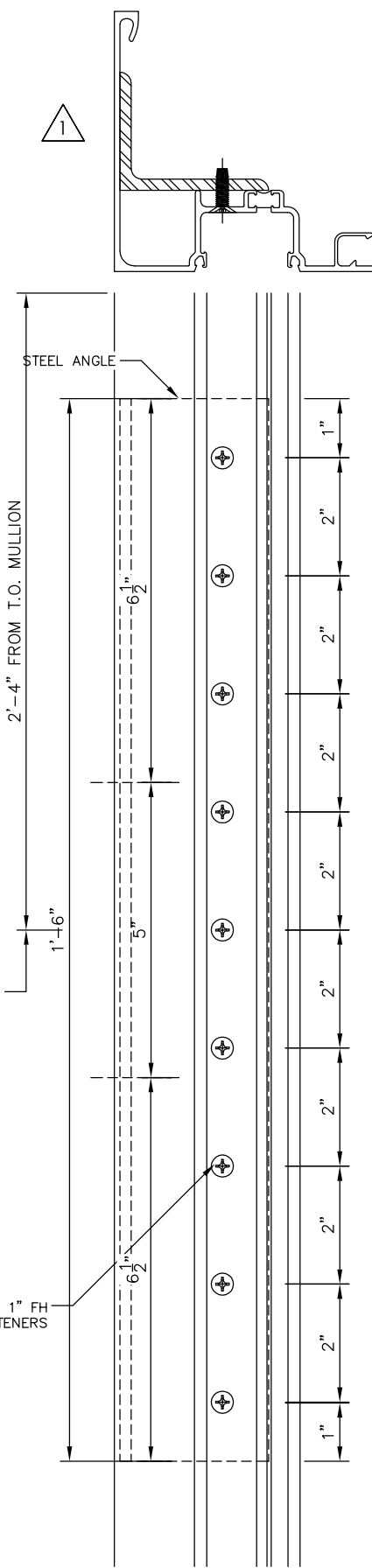
3 STOREFRONT CORNER POST W/SUNSHADE
SCALE:
4 A4.10
15 A4.10



2 VERTICAL W/ SUNSHADE DETAIL
SCALE:



4 INTERNAL STEEL AT SUNSHADE CORNER BRACKET
SCALE:



5 SUNSHADE CORNER BRACKET FASTENER LAYOUT
SCALE:

REV.	DATE:	DESCRIPTION:
1	7-5-16	REVISED PER SUBMISSION-1 RETURN DWGS
2	8-22-16	REVISED PER ENGINEERING

PROJECT NAME:	ADDRESS:	CUSTOMER:	ARCHITECT:

DATE:	DRAWN BY:	CHECKED BY:	DRAWING TYPE:
	MRN		