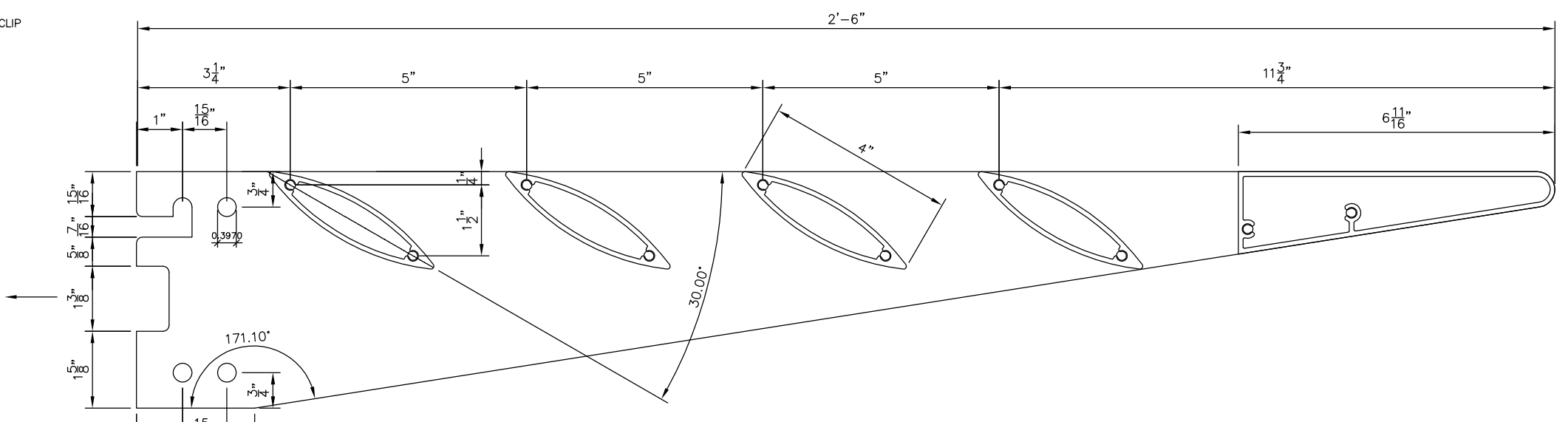
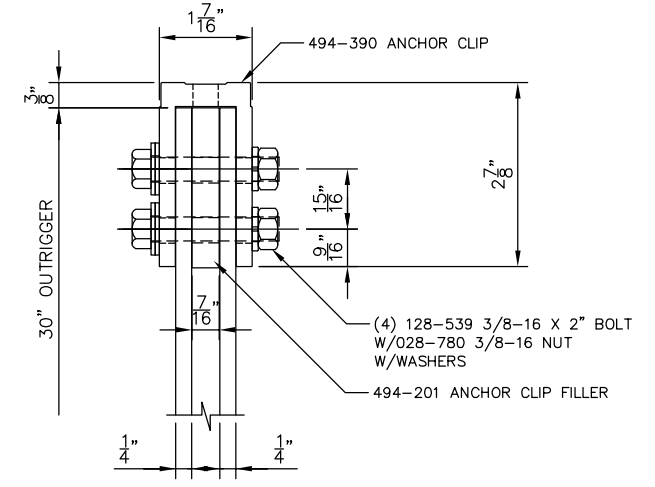


1 ANCHOR CLIP TO STOREFRONT PROFILE  
SCALE:



2 30" OUTRIGGER W/ 4" BLADES  
SCALE:



3 ANCHOR CLIP & BOLT DIMENSIONS  
SCALE:

PROJECT NAME:		DESCRIPTION:	
DATE:	DRAWN BY:	REVISED PER SUBMISSION-1	RETURN DWGS
7-5-16	MRN	8-22-16	
ADDRESS:		REVISED PER ENGINEERING	
CUSTOMER:			
ARCHITECT:			
SHEET			
808			