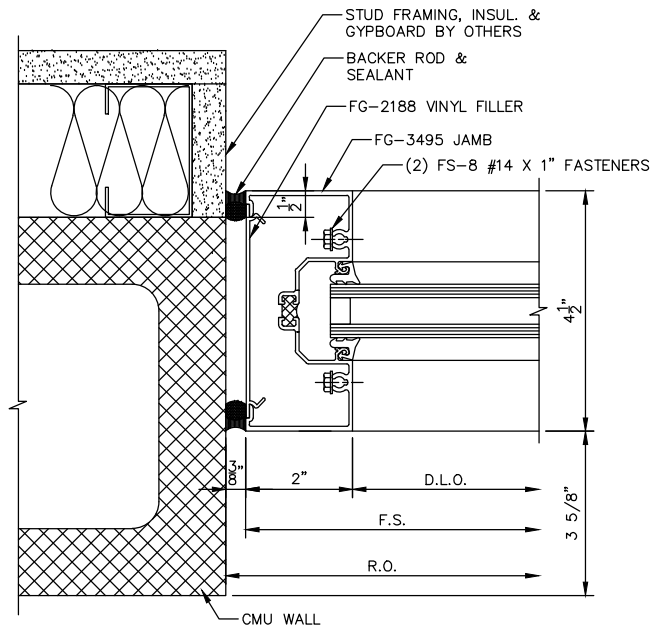
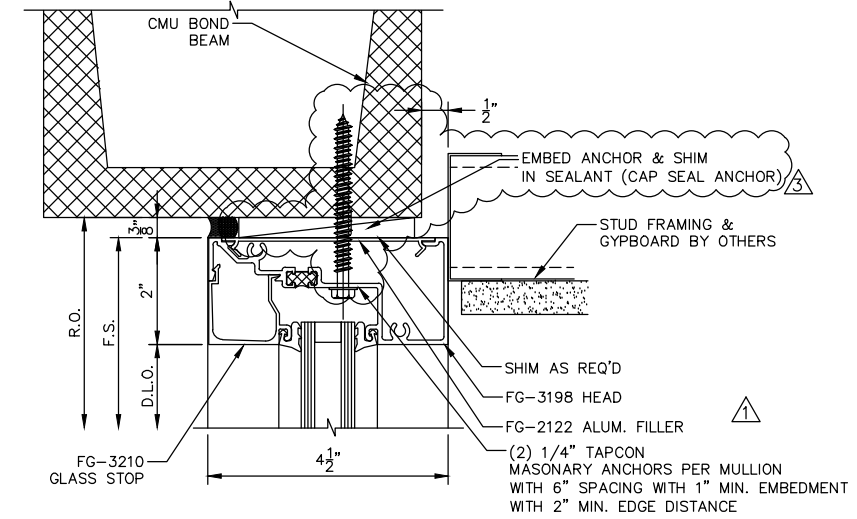


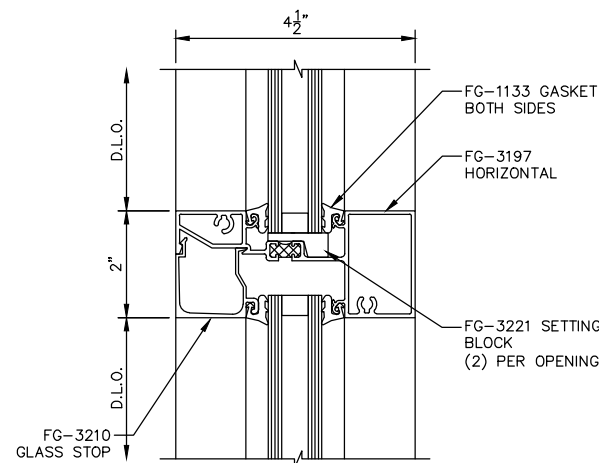
1 STOREFRONT HEAD DETAIL  
SCALE: N.T.S.  
ARCH. REF: 03/A3.25



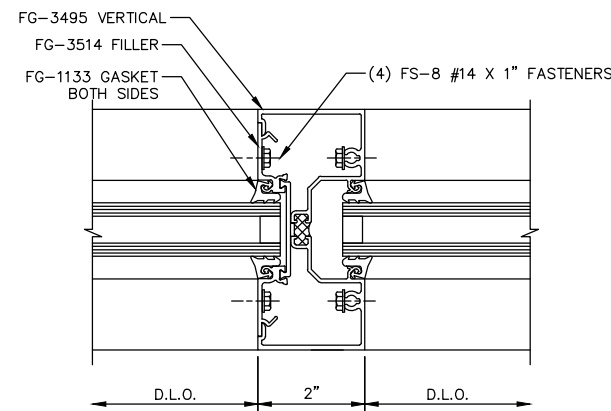
4 STOREFRONT JAMB DETAIL  
SCALE: N.T.S.  
ARCH. REF: 08/A3.25



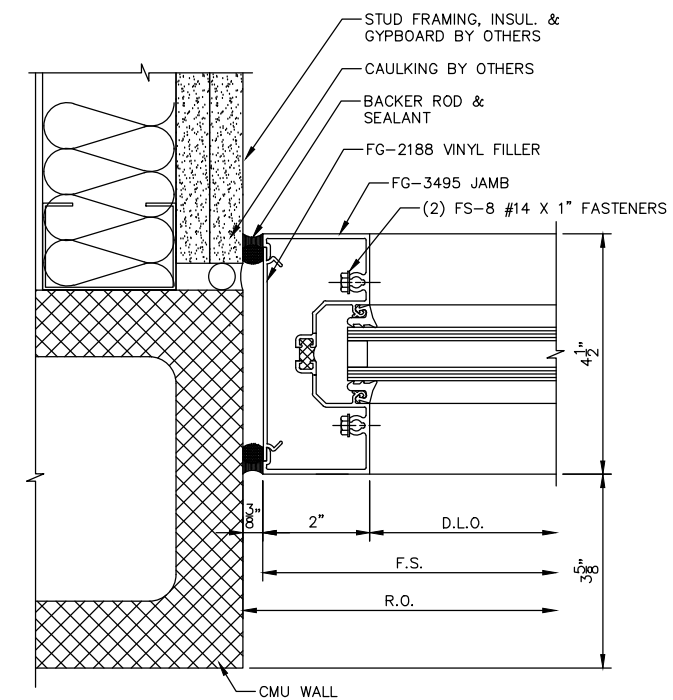
7 STOREFRONT HEAD DETAIL  
SCALE: N.T.S.  
ARCH. REF: 02/A3.25



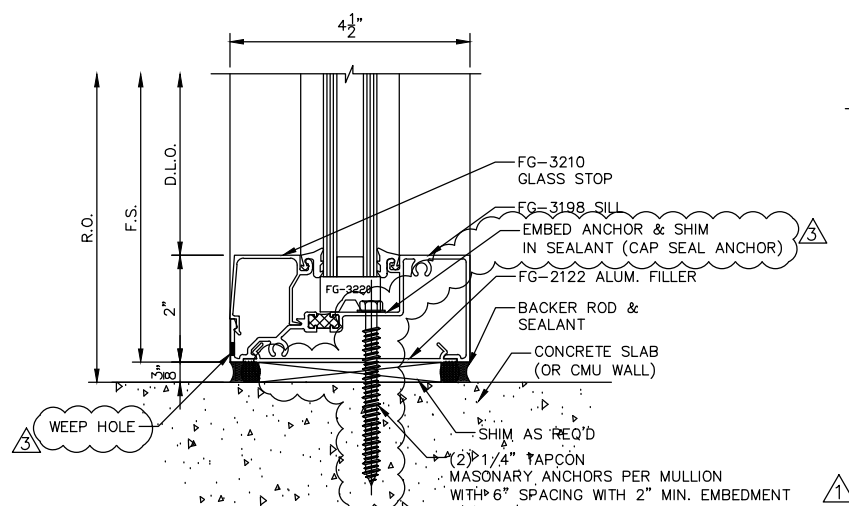
2 STOREFRONT HORIZONTAL DETAIL  
SCALE: N.T.S.  
ARCH. REF: 05/A3.25



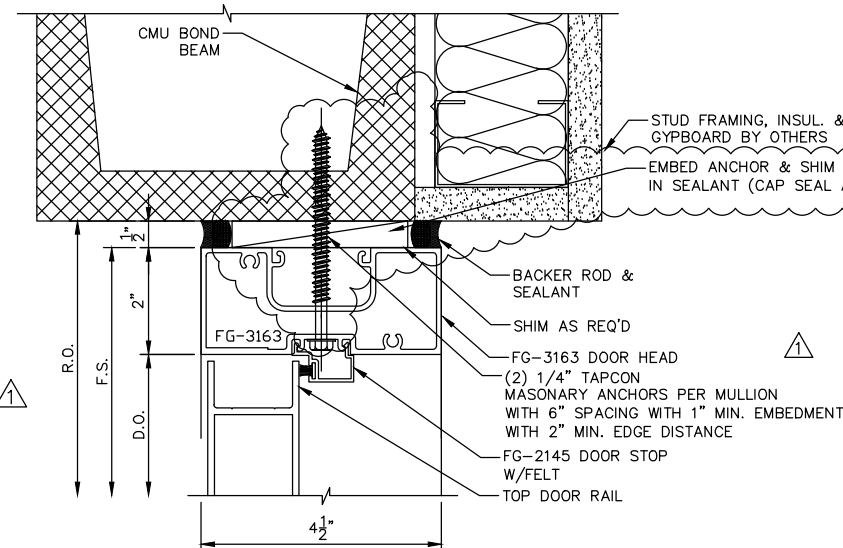
5 STOREFRONT VERTICAL DETAIL  
SCALE: N.T.S.  
ARCH. REF: 05/A3.25



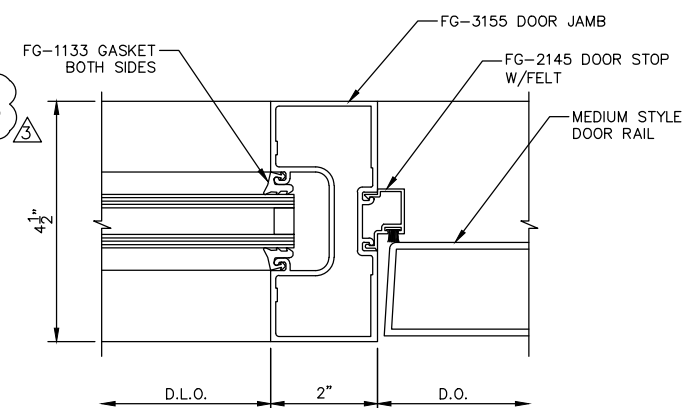
8 STOREFRONT JAMB DETAIL  
SCALE: N.T.S.  
ARCH. REF: 04/A3.25



3 STOREFRONT SILL DETAIL  
SCALE: N.T.S.



6 STOREFRONT HEAD DETAIL  
SCALE: N.T.S.



9 STOREFRONT DOOR JAMB DETAIL  
SCALE: N.T.S.

REV.	DATE:	DESCRIPTION:
1	4-17-2014	1ST. SUBMISSION
2	6-04-2014	REVISED PER CALCULATIONS
3	6-30-2014	REVISED PER W/CPR #5
	9-17-2014	REVISED PER RETURNED DWGS 8-13-14

DATE:	PROJECT NAME:
DRAWN BY:	ADDRESS:
CHECKED BY:	CUSTOMER:
DRAWING TYPE:	ARCHITECT: