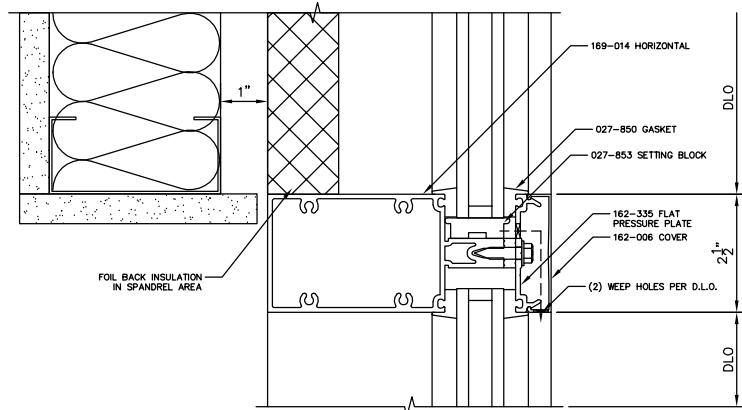
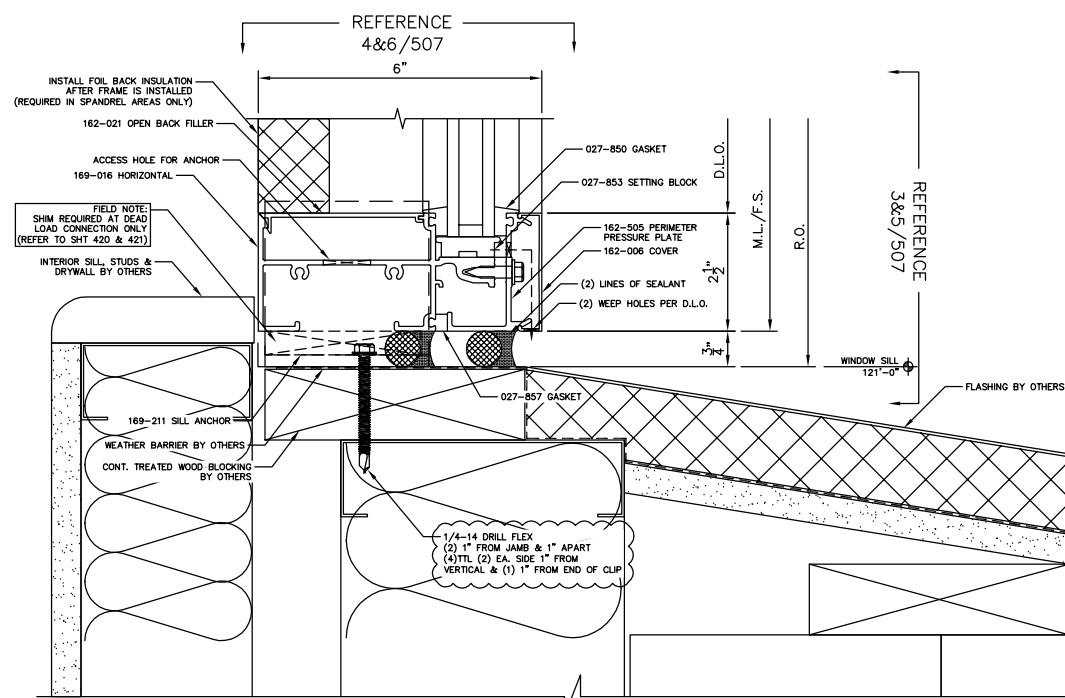


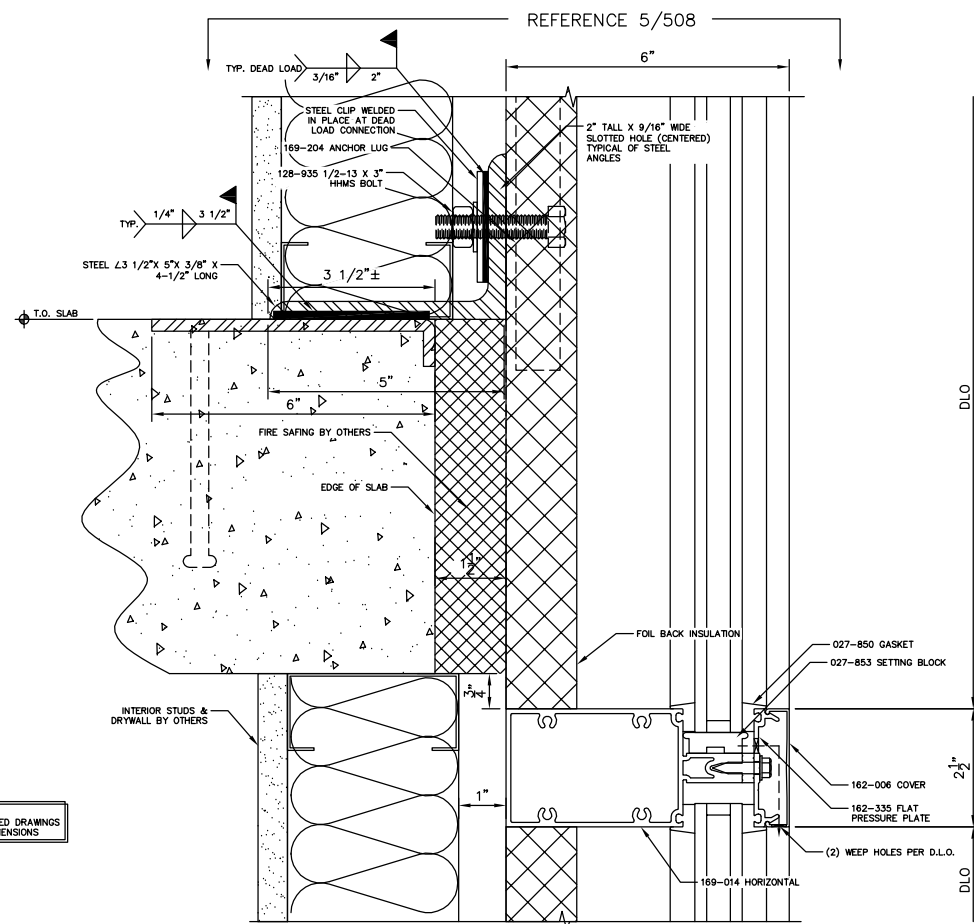
3 CURTAIN WALL HEAD UNDER SLAB DETAIL



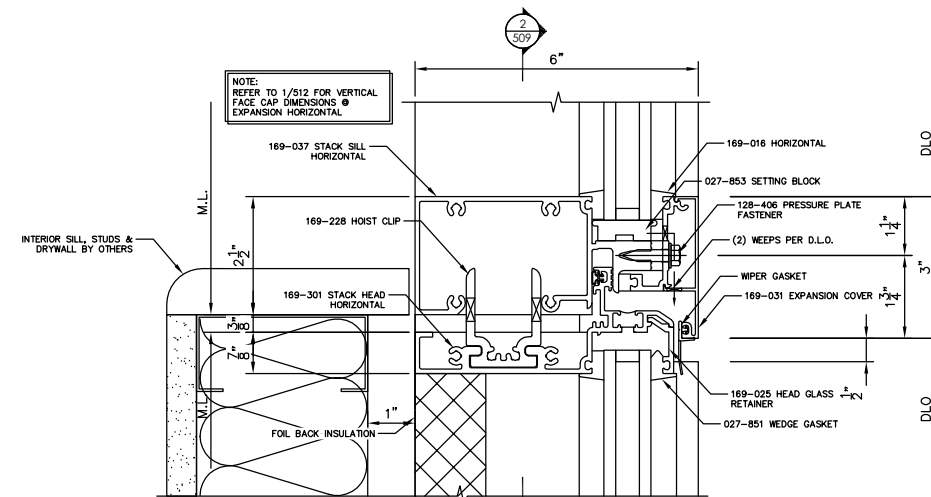
2 CURTAIN WALL HORIZONTAL @ VISION DETAIL



1 LEVEL 2 CURTAIN WALL SILL DETAIL



5 CURTAIN WALL HORZ. BELOW FACE OF SLAB DETAIL



4 CURTAIN WALL SILL @ VISION DETAIL

NOTE: SEE SEPARATE EMBED DRAWINGS FOR SLAB EDGE DIMENSIONS

REV.	DATE:	DESCRIPTION:
1	12-29-14	REVISED PER EMBED MODIFICATIONS
2	2-2-15	REVISED PER ARCH. RETURNS 1-13-15
3	3-9-15	REVISED PER ENGINEERING CALCULATIONS
4	7-16-15	REVISED PER CCD #2
5	7-27-15	REVISED PER ROOF SLAB FIX
6	8-10-15	REVISED PER CCD #2 REDLINE RETURN DWGS
7	8-20-15	REVISED PER NORTH ELEV. ENTRANCE CHANGE

PROJECT NAME:	DATE:
ADDRESS:	DRAWN BY:
CUSTOMER:	MIN
ARCHITECT:	CHECKED BY:
	DRAWING TYPE:
	SHEET