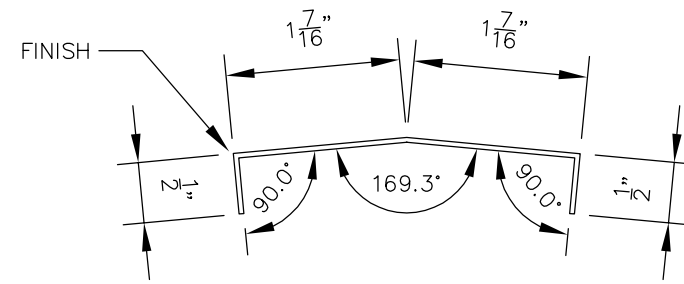
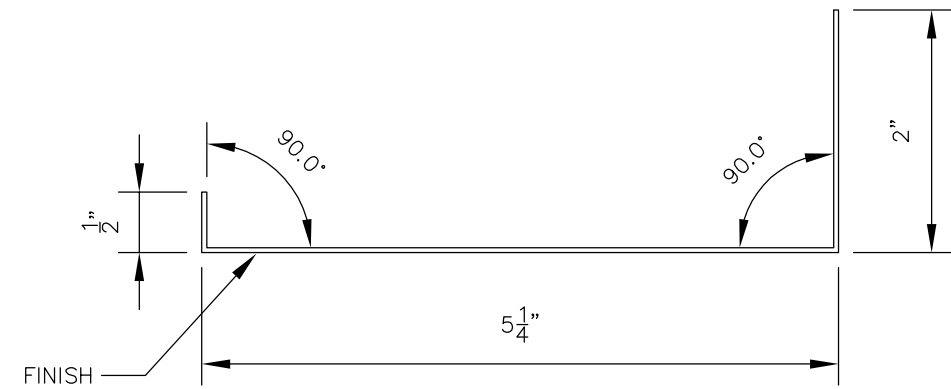


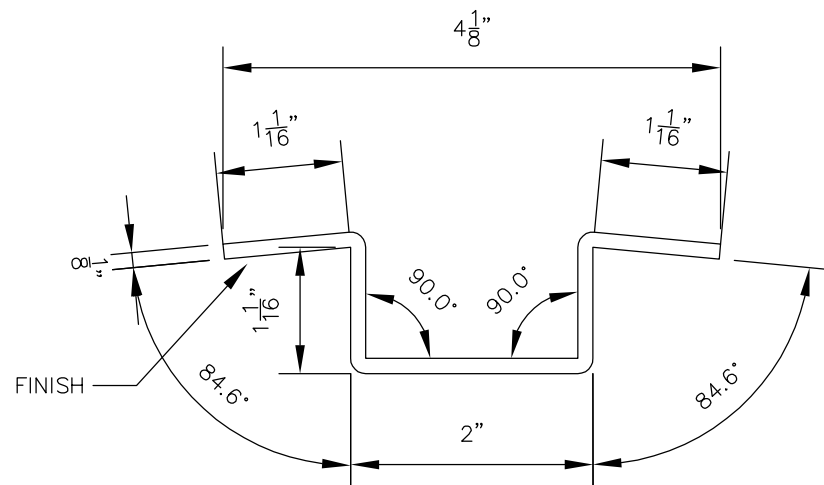
.040 CLEAR ANOD.
2 PCS. @ 8'-0"



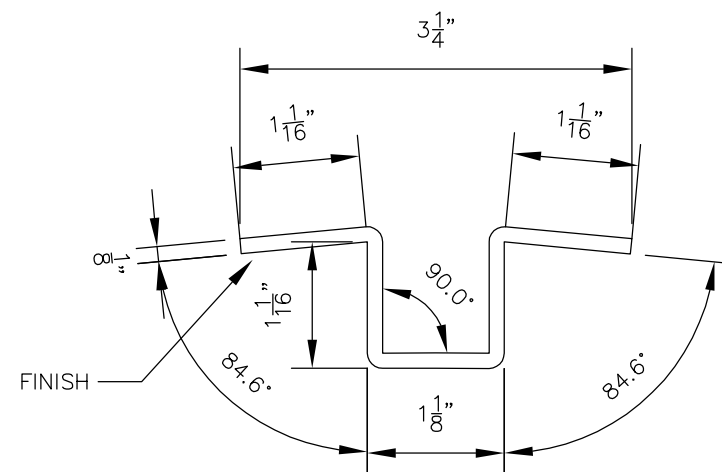
.040 CLEAR ANOD.
4 PCS. @ 12'-0"



.040 CLEAR ANOD.
2 PCS. @ 12'-0"



.125 CLEAR ANOD.
2 PCS. @ 8'-0"



.125 CLEAR ANOD.
4 PCS. @ 12'-0"

BRAKE METAL AT RADIUS FRAME "L"

REV.	DATE:	DESCRIPTION:
1	12-29-14	REVISED PER EMBED MODIFICATIONS
2	2-2-15	REVISED PER ARCH. RETURNS 1-13-15
3	3-9-15	REVISED PER ENGINEERING CALCULATIONS
4	7-16-15	REVISED PER CCD #2
5	7-27-15	REVISED PER ROOF SLAB FIX
6	8-10-15	REVISED PER CCD #2 REDLINE RETURN DWGS
7	8-20-15	REVISED PER NORTH ELEV. ENTRANCE CHANGE

DATE:	PROJECT NAME:
DRAWN BY: MN	ADDRESS:
CHECKED BY:	CUSTOMER:
DRAWING TYPE:	ARCHITECT:

SHEET
BM