



*DCG-450 1" DOUBLE GLAZE*  
*2" X 4-1/2" CENTER SET*  
*FLUSH GLAZED STOREFRONT*

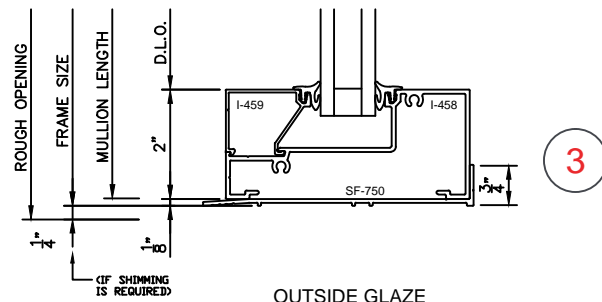
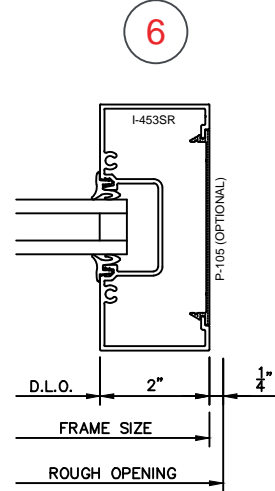
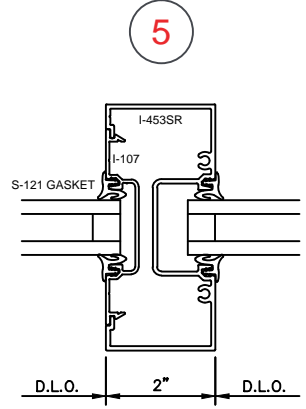
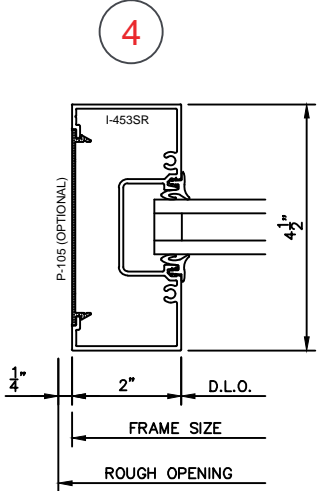
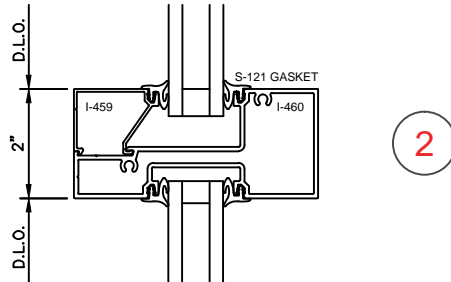
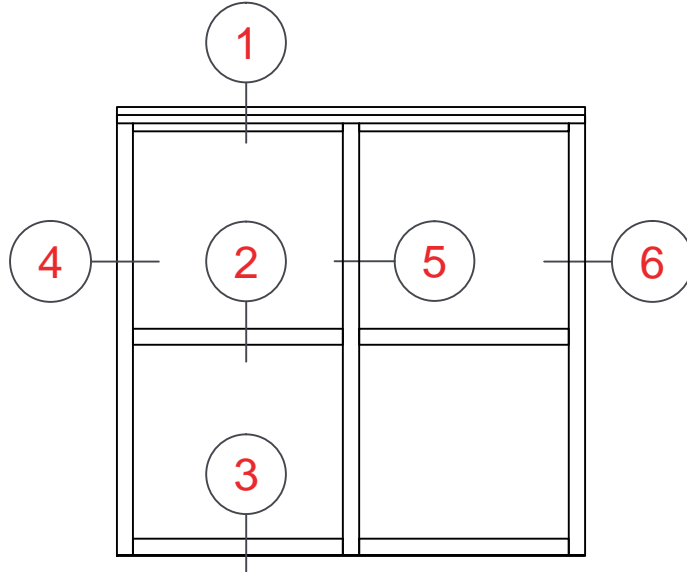
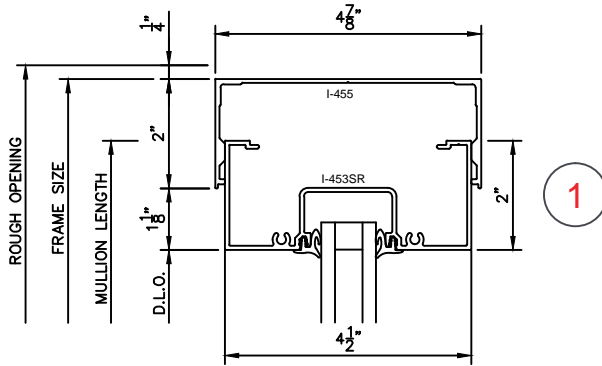
COMMERCIAL ARCHITECTURAL  
PRODUCTS, INC.  
2950 SOUTH WYANDOT STREET  
ENGLEWOOD, CO. 80110  
PHONE: 303.761.5452  
FAX: 303.761.5722

[WWW.CAPINC.BIZ](http://WWW.CAPINC.BIZ)



**DCG-450 1" DOUBLE GLAZE**

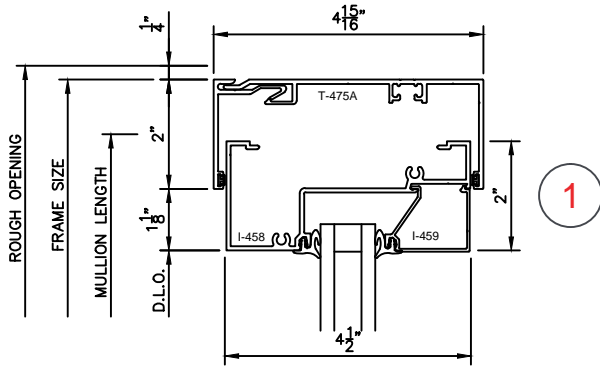
OUTSIDE GLAZE  
 WITH HEAD RECEPTOR & SILL FLASH



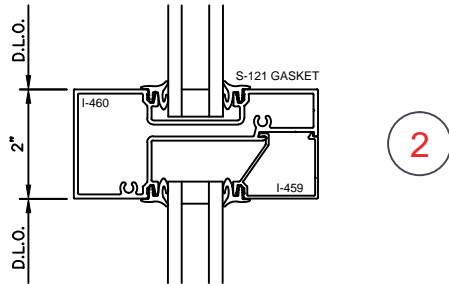
**OUTSIDE GLAZE**  
 WITH SILL FLASHING  
 1 PIECE HEAD RECEPTOR

**DCG-450 1" DOUBLE GLAZE**

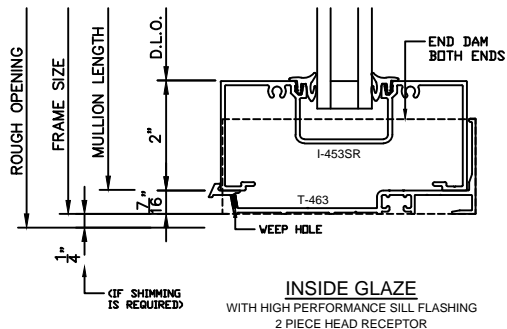
INSIDE GLAZE  
 WITH HEAD RECEPTOR & SILL FLASH



1

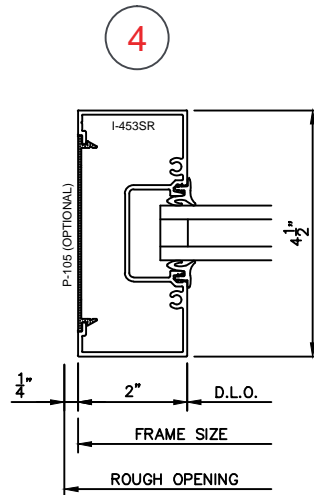
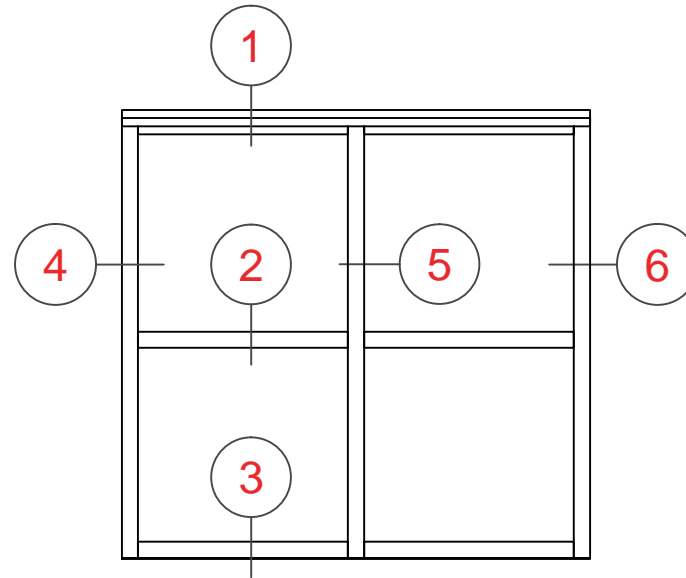


2

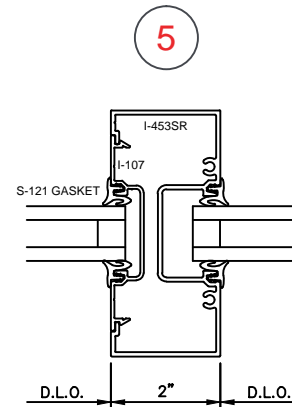


3

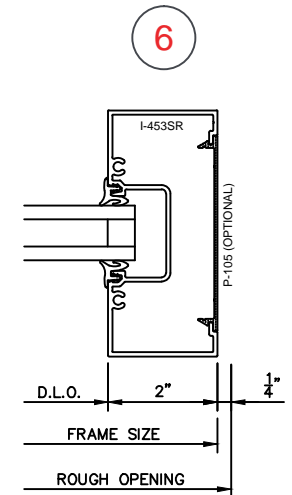
**INSIDE GLAZE**  
 WITH HIGH PERFORMANCE SILL FLASHING  
 2 PIECE HEAD RECEPTOR



4



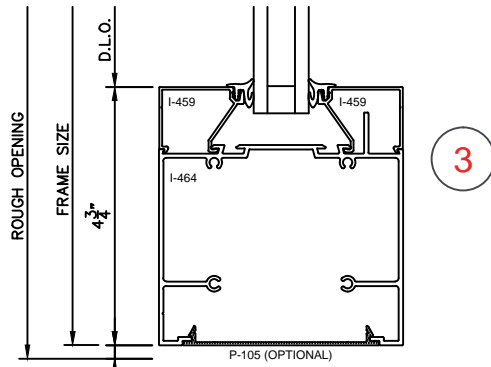
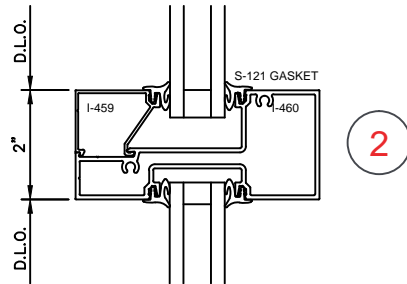
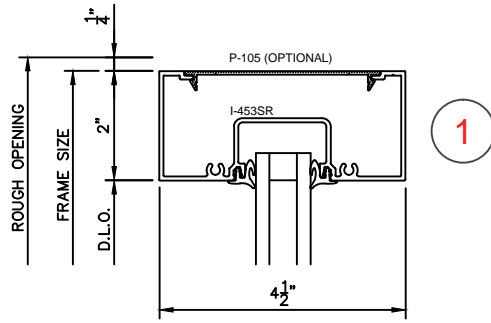
5



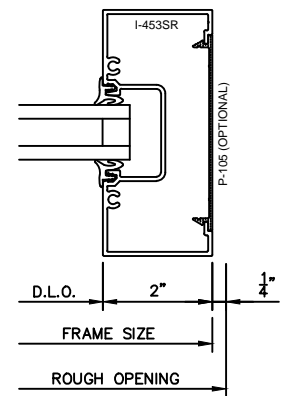
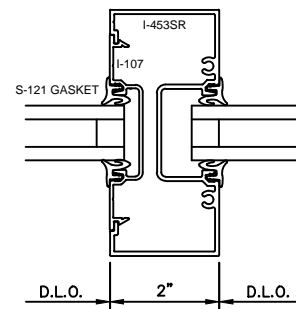
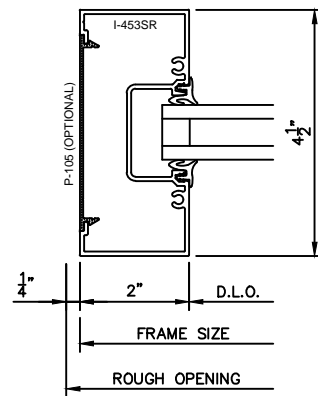
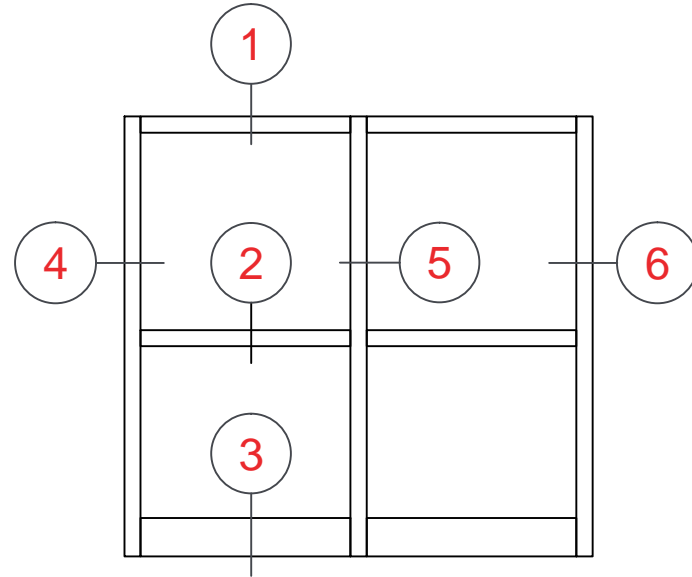
6

**DCG-450 1" DOUBLE GLAZE**

OUTSIDE GLAZE  
 WITH OPTIONAL DEEP SILL

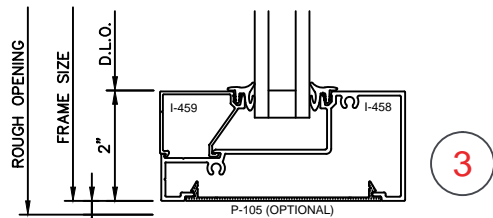
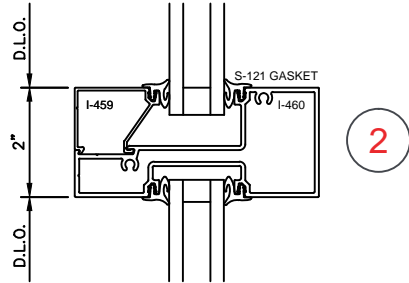
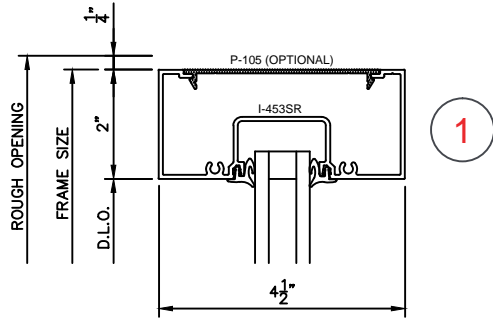


**OUTSIDE GLAZE**  
 WITH OPTIONAL DEEP SILL



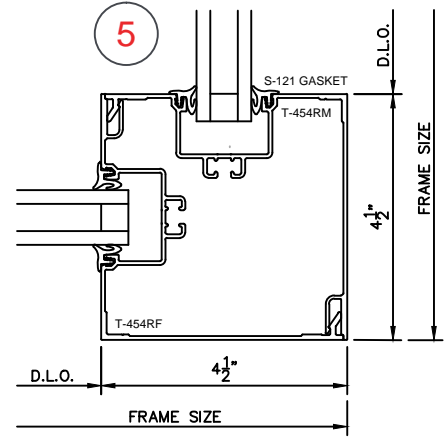
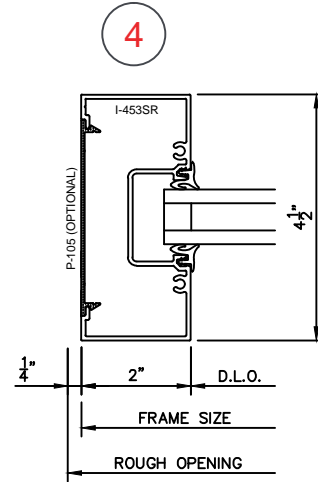
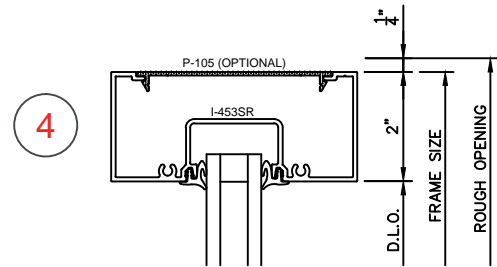
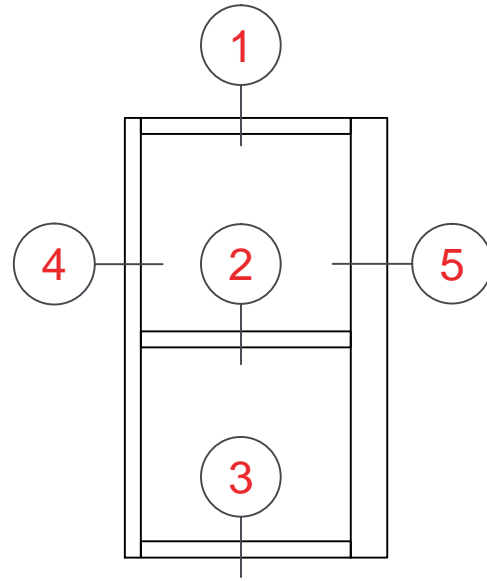
**DCG-450 1" DOUBLE GLAZE**

OUTSIDE GLAZE  
 WITH 90° CORNER POST

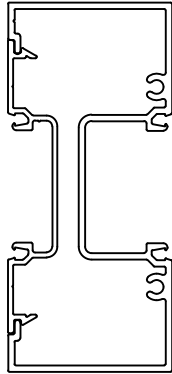


IF SHIMMING IS REQUIRED

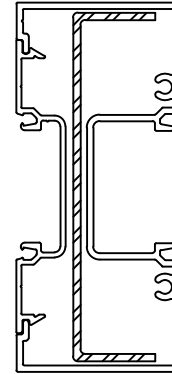
**OUTSIDE GLAZE**



**90° CORNER POST**

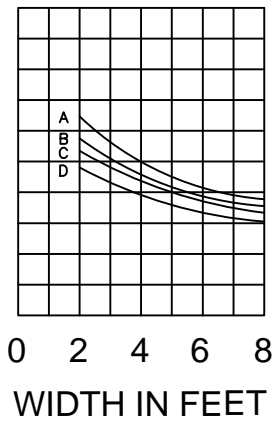


I-453SR/I-107



I-453SR/I-107 W/ 10 GA. STL.

ALUMINUM ALLOY 6063-T6  
 DEFLECTION = L/175 OF SPAN  
 ALLOWABLE STRESS - 12,667 P.S.I.



A - 20 P.S.F.  
 B - 25 P.S.F.  
 C - 30 P.S.F.  
 D - 40 P.S.F.

